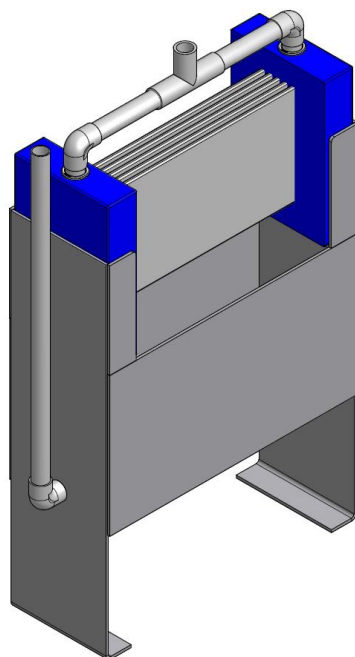


## Submersible Flat Sheet Membrane pilot unit



LiqTech  
International A/S  
Industriparken 22C  
DK-2750 Ballerup

Phone: +45 4498 6000  
Fax: +45 4498 6061  
[info@liqtech.com](mailto:info@liqtech.com)  
[www.liqtech.com](http://www.liqtech.com)

### Technical Data

<b>Rack material</b>	STS 304
<b>Module material</b>	Polyurethane
<b>Membrane material</b>	Silicon Carbide
<b>Dimension of unit</b>	H: 630mm x W: 400mm x D: 160mm
<b>Maximum flow</b>	0,5m <sup>3</sup> /hour
<b>Active membrane area</b>	0,5 m <sup>2</sup>
<b>Filtration principle</b>	Vacuum driven outside-in filtration
<b>PH range</b>	1-12
<b>Maximum pressure</b>	5 bar
<b>Maximum operating temperature</b>	80° C
<b>Pore size range</b>	0,2 µm - 1µm - 3µm
<b>Cleaning</b>	Chlorine, acids, solvents, caustic and oxidizers

*The Flat sheet membrane pilot unit gives you the opportunity to proof our technology simply and inexpensively. The unit can be supplied with pumps and controls on demand. The unit is equipped with aerator unit below the polyurethane module blowing coarse air-bubbles across the membrane surface in order to continuously keep the membrane surface clean and maintain a high flux rate. Our unique Silicon Carbide membrane material is extremely durable and therefore also provides you with the option of cleaning the membrane surface with a high pressure water jet.*