

# LiqTech DIN Multi Housings

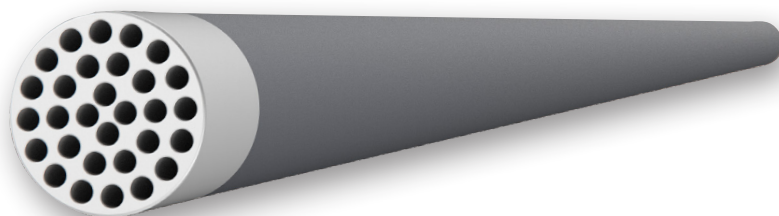
For 7, 13, 31, 67, 99, or 137 membranes

Combine the housing to suit the desired capacity.  
Housing components can be supplied separately for customer assembly.  
The housings are available pre-assembled with membranes and tested for tightness at LiqTech.  
Instrumentation, clamps, couplings and screw-in valves are provided only if specified.

Available gasket material: EPDM, FKM, NBR

## Standard housing material

The housings are available in Stainless Steel EN 1.4307 (AISI 304L) and EN 1.4404 (AISI 316L).  
Other materials on request.



## LiqTech Membranes

### SiC Membranes

- Unmatched flux  
SiC membranes have the highest flux of any membrane
- Small footprint  
One of the smallest footprints for complete systems in the market
- Excellent thermal properties  
Our SiC membranes can withstand temperatures of 800°C
- Unmatched performance  
High performance, low total cost of ownership and low maintenance
- Chemically inert  
Our systems can withstand the full pH spectrum of 0-14
- Efficient cleaning  
Any chemical can be used for cleaning, resulting in very low membrane fouling
- Robustness  
SiC is the second hardest material in the world next to diamonds
- Long service life - less maintenance  
Fully automated system with less downtime and stable operation

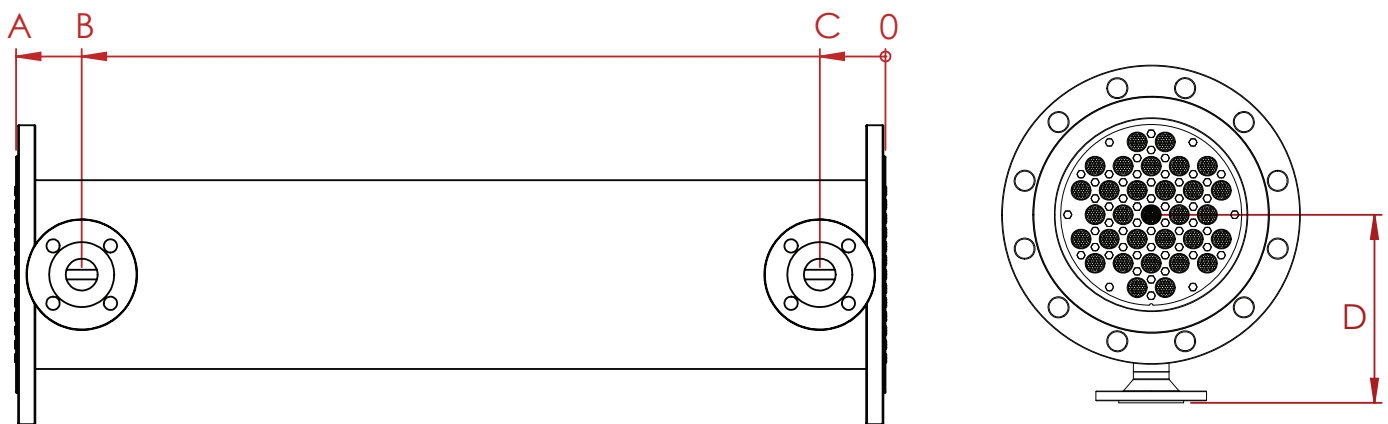
### HTM Membranes

- Unmatched flux
- Small footprint
- Excellent thermal properties
- Thermally resistant up to 800°C - Steam cleaning, more efficient chemical cleaning, and high-temperature applications.
- Unmatched mechanical robustness
- Resistant to chemicals
- SiC and ZrO<sub>2</sub> are resistant to chemicals ranging in acidity from 0-14 pH.
- Efficient cleaning
- Corrosion resistant  
The SiC- ZrO<sub>2</sub> combination is new to the industry - conventional oxide supports lack the corrosion resistance enabled by SiC. Monoclinic ZrO<sub>2</sub> is more corrosion resistant compared to conventional ZrO<sub>2</sub>.
- Well-defined selectivity  
The sharp profile increases the selectivity towards targeted components, thus higher quality of the product.
- High permeability
- The SiC support has a higher permeability than that of conventional oxide ceramic supports.
- Long service life - less maintenance  
Extended membrane lifetime leading to reduced OPEX with regards to both membrane replacement and labor cost.

**Flanges**

LD7	DN25, PN16	DN125, PN16
LD13	DN32, PN16	DN200, PN16
LD31	DN40, PN16	DN250, PN16
LD67	DN50, PN16	DN350, PN10
LD99	DN65, PN16	DN400, PN10
LD137	DN80, PN16	DN500, PN10

**Measurements mm**



	A	B	C	D
LD7	1178	1089	89	165
LD13	1178	1089	89	215
LD31	1178	1089	89	255
LD67	1178	1089	89	320
LD99	1178	1089	89	340
LD137	1178	1079	99	400

**CONTACT US**

Contact Liqtech for more information on how we can help you with your clean water needs.